



PERLIGHT

Powering Possibilities

## PLM-200M-72 SERIES

Monocrystalline Silicon Solar Module



## PERLIGHT SOLAR

Founded in 2006, Perlight is a Global Solar Energy provider with a presence in more than 35 countries around the world. More than 1.5GW of Perlight modules have been used in residential, commercial and off-grid systems around the world.

Perlight's success has been built on proven product performance and reliability, state of the art technology and long term partnerships with key customers.

17.2% -19.0%

CELL EFFICIENCY

12 YEARS

PRODUCT WARRANTY

0 -3%

POWER TOLERANCE

### POWER WARRANTY

 80% Power Output Warranty

 90% Power Output Warranty

 Material & Workmanship Warranty



### Performance

High output and efficiency even under low light conditions



### Versatility

Salt mist corrosion tested, perfect for harsh climatic conditions



### Reliability

Durable and reliable solar panels due to stringent quality control measures, testing and strict selection of raw materials and components. PID free (TUV certified)



### Design and Innovation

Perlight is committed to innovation and constantly working to provide the next breakthrough in solar technology: the new All Black panel is an example of this commitment.

# MONOCRYSTALLINE, 72-CELL SERIES

## ELECTRICAL PERFORMANCE

Module type	PLM-200M-72						
Power output	$P_{max}$	W	190	195	200	205	210
Power output tolerances	$\Delta P_{max}$	%					0 - 3
Voltage at Pmax	$V_{mpp}$	V	36.83	37.43	37.89	38.19	38.47
Current at Pmax	$I_{mpp}$	A	5.16	5.21	5.28	5.37	5.46
Open-circuit voltage	$V_{oc}$	V	45.02	45.26	45.48	45.65	45.80
Short-circuit current	$I_{sc}$	A	5.56	5.62	5.66	5.73	5.81

STC: 1000W/m<sup>2</sup> irradiance, 25°C cell temperature, AM 1.5g spectrum according to EN 60904-3.

## THERMAL CHARACTERISTICS

Nominal operating cell temperature	NOCT	°C	45±2
Temperature coefficient of Pmax	$\mu$	%/°C	-0.45
Temperature coefficient of Voc	$\beta_{voc}$	%/°C	-0.34
Temperature coefficient of Isc	$\alpha_{isc}$	%/°C	0.06
Temperature coefficient of Vmpp	$\beta_{vmpp}$	%/°C	-0.40

## OPERATING CONDITIONS

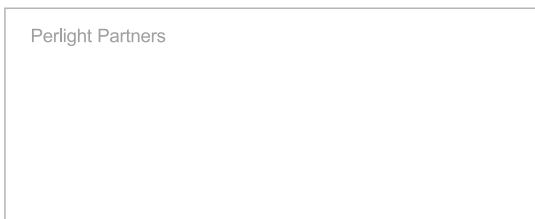
Max. system voltage	1000V <sub>DC</sub>
Limiting reverse current	15A
Operating temperature range	-40°C to 85°C
Max. static load front (e.g., snow)	5400Pa
Max. static load back (e.g., wind)	2400Pa
Max. hailstone impact (diameter / velocity)	25mm / 23m/s

## MECHANICAL CHARACTERISTICS

Front cover (material / thickness)	low-iron tempered glass / 3.2mm
Backsheet (color)	white
Cell (quantity / material / dimensions)	72 / monocrystalline silicon / 125 x 125mm
Frame (material / color)	anodized aluminum alloy / silver
Junction box (protection degree)	≥ IP65
Cables & Plug connectors	900mm / 4mm <sup>2</sup> & MC4 compatible / IP67
Module Dimensions (L / W / H)	1580mm x 808mm x 35mm
Module Weight	15.0kg

## PACKING DETAILS

Container	20'GP	40'HQ
Pieces per pallet	62	68
Pallets per container	6	14
Pieces per container	372	952

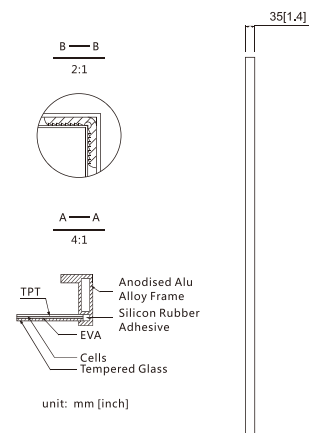
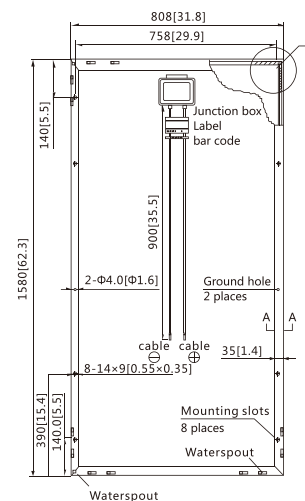


## QUALIFICATIONS & CERTIFICATIONS

IEC 61215, IEC 61730, CE, IEC 62804 (PID Free), UL 1703, J-PEC, PV CYCLE, IEC/EN 61701, IEC 62716



## Module Diagram:



## Electrical Curves:

